


TAJ
CLUBHOUSE
CHENNAI



EVENTS AND OCCASIONS



At the heart of Chennai's bustling business district, Taj Club House stands as a refined retreat where contemporary design is elevated by the warmth of timeless hospitality. Just a short drive from the airport and within easy reach of the city's prominent landmarks, it has become a sought-after destination for discerning business travellers, leisure guests, and event organisers alike.

As one of Chennai's most preferred business hotels, it offers a versatile collection of venues, from expansive banquet halls that host grand celebrations to private meeting rooms. With advanced technology, bespoke service, and a team dedicated to seamless execution, every event is transformed into an unforgettable occasion.



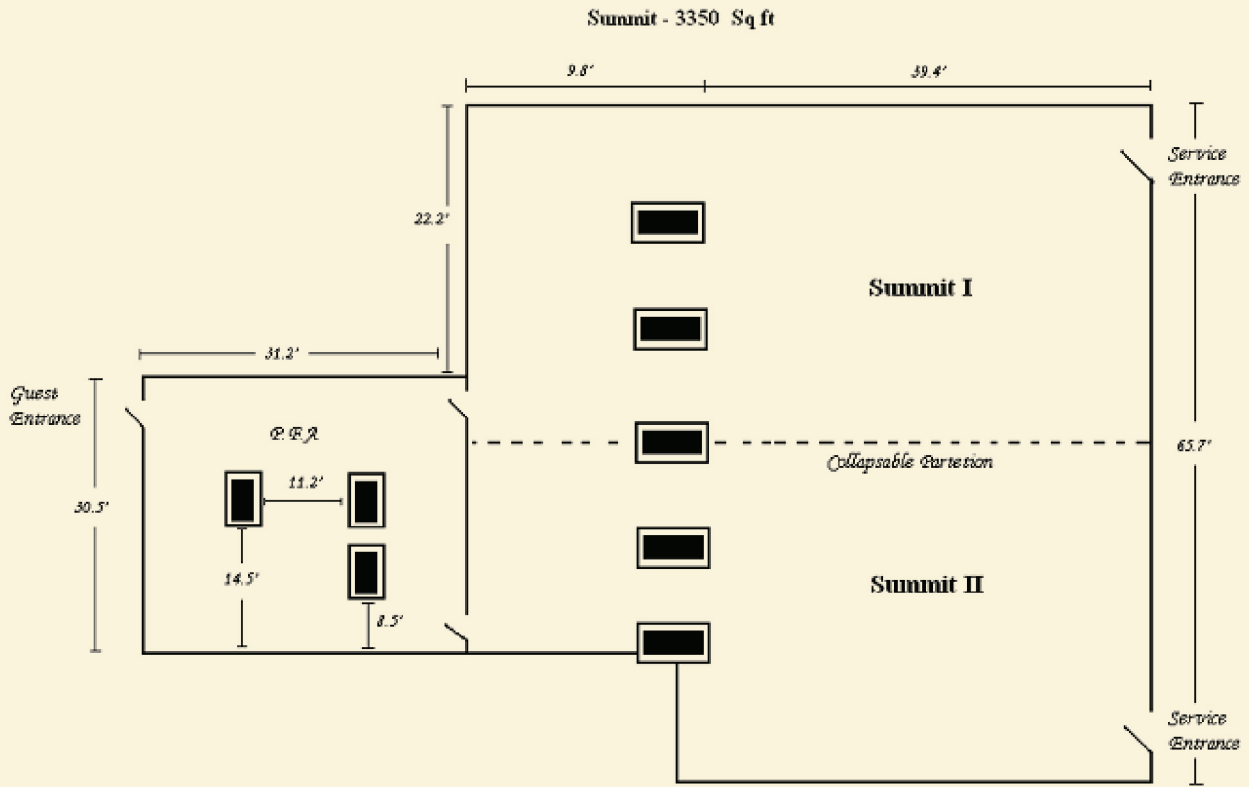
SUMMIT



With 311 sq. m. of adaptable space, this banquet hall accommodates up to 150 guests in a setting designed for comfort and efficiency. Directly accessible from the lobby, it is an excellent choice for small conferences, business sessions or intimate social gatherings.



SUMMIT FLOOR PLAN



DIMENSIONS & SEATING CAPACITIES



Area (sq. m.)	Dimensions (sq.m.)	Ceiling Height (m.)	U Shaped	Circular	Classroom	Theatre	Reception	Boardroom
311.23	15X20.02	3	60 pax	96 pax	80 pax	150 pax	200 pax	12 pax

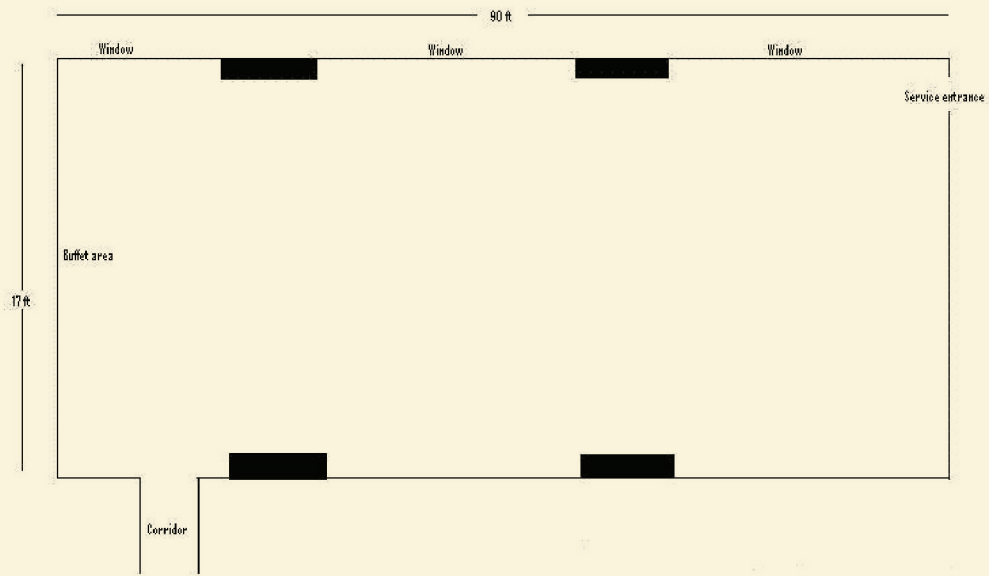
TANGO



A 142 sq. m. sixth-floor venue that balances natural daylight with a polished ambience. Ideal for executive meetings, training sessions and private gatherings, it supports a variety of seating plans for up to 50 guests.



TANGO - FLOOR PLAN



Height : 8 ft
 Total area : 1530 sq ft
 0th Floor

DIMENSIONS & SEATING CAPACITIES



Area (sq. m.)	Dimensions (sq.m.)	Ceiling Height (m.)	U Shaped	Circular	Boardroom	Theatre	Reception
142.14	27.43 x 5.18	2.44	28 pax	24 pax	12 pax	40 pax	40 pax

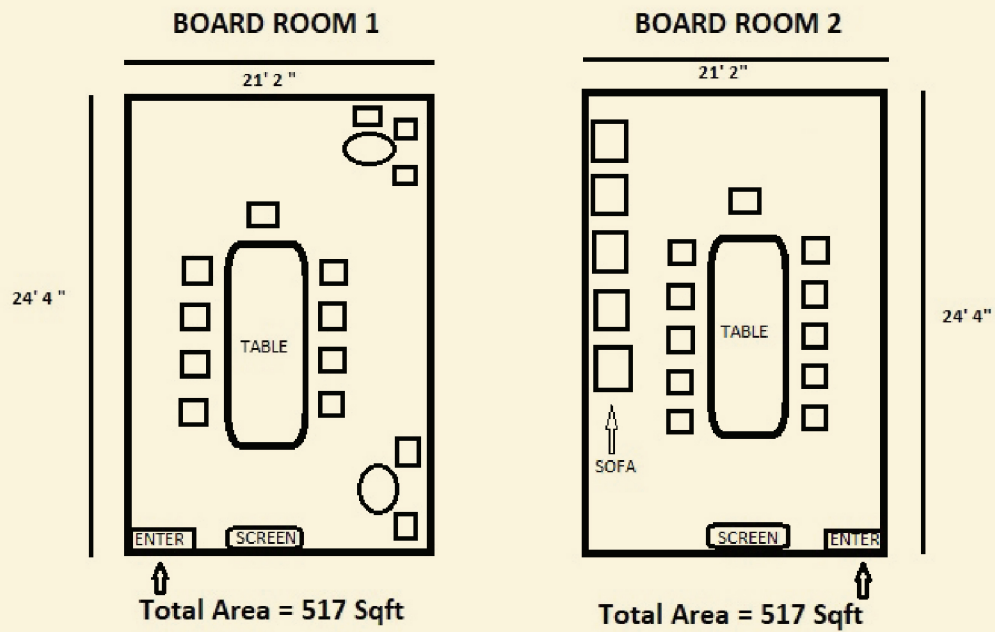
BOARDROOM



Board Room 1 & 2 are two identical venues on the first floor, each measuring 48.03 sq. m. Both are set with a fixed rectangular table surrounded by executive leather chairs to accommodate up to 12 guests in comfort. These spaces combine efficiency with sophistication, offering a discreet and focused environment equipped with modern conveniences for seamless meetings and business gatherings.



BOARDROOM - FLOOR PLAN



TWO ADJOINING BOARDROOMS DESIGNED FOR SEAMLESS EXECUTIVE MEETINGS

DIMENSIONS & SEATING CAPACITIES



Area (sq.m.)	Dimensions (sq.m.)	Ceiling Height (m.)	U Shaped	Circular	Reception	Theatre	Boardroom
48.03	6.45 × 7.42	2.29	-	-	-	-	12


TAJ
CLUBHOUSE
CHENNAI